



**BDN** FASTENERS

**AS3566**  
**Building Fasteners**

Made in Taiwan





## ABOUT

- ◆ 3D Screw Modeling for Drawing Verification and Presentation
- ◆ Constant New Product Development
- ◆ Quality Guaranteed
- ◆ On-Time Delivery
- ◆ Competitive Pricing
- ◆ Efficient Customer Service
- ◆ Unique and Expressive Packaging Design



**2009**

Established in 2009 and began the trade of selling construction fasteners.

**2014**

BDN FASTENERS, the 100% made in Taiwan brand, steps into the fasteners scene.

**2015**

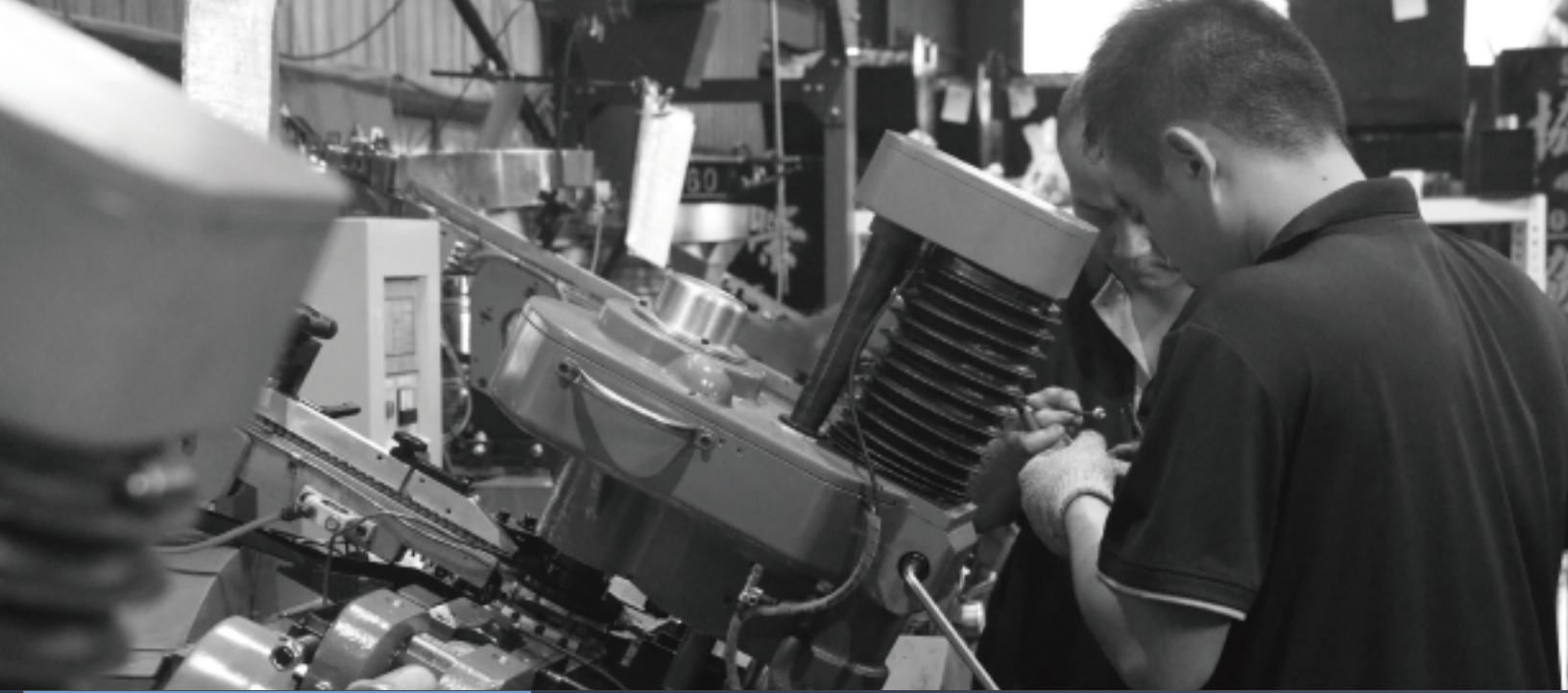
BDN FASTENERS Thailand was established in 2015, and set up as a base for sales and promotion of BDN Fasteners in ASEAN countries.

**2017**

BDN Fasteners takes a major step forward and builds a new facility dedicated to Heading, Threading, and Pinch Pointing processes - maximizing speed and efficiency, taking our service and quality to the next level.

**2018**

Despite hard times, BDN Fasteners takes yet another bold step forwards, relocating to a larger storage and packaging facility for better logistics, accommodate additional personnel, and new packaging machinery.



# CONTENTS

## METAL-Tite

---

VALLEY FIXING FASTENERS



01

VALLEY FIXING FASTENERS - HEAVY SECTION



02

CREST FIXING FASTENERS



03

STITCHING FASTENERS



04

CONCEALED FIXING FASTENERS



05

## TIMBER-Tite

---

VALLEY FIXING FASTENERS



06

CREST FIXING FASTENERS

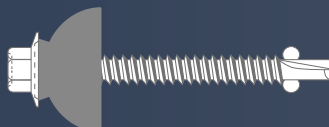


07

## POLYXPAND

---

SKYLIGHT FIXING FASTENERS



08

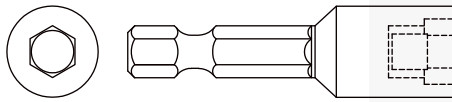
### STEEL PENETRATION

Max 4.0mm thick (For #10 gauge)

Max 6.0mm thick (For #12 gauge)

### ADAPTER TO USE

Magnetic Hex Socket (5/16" )



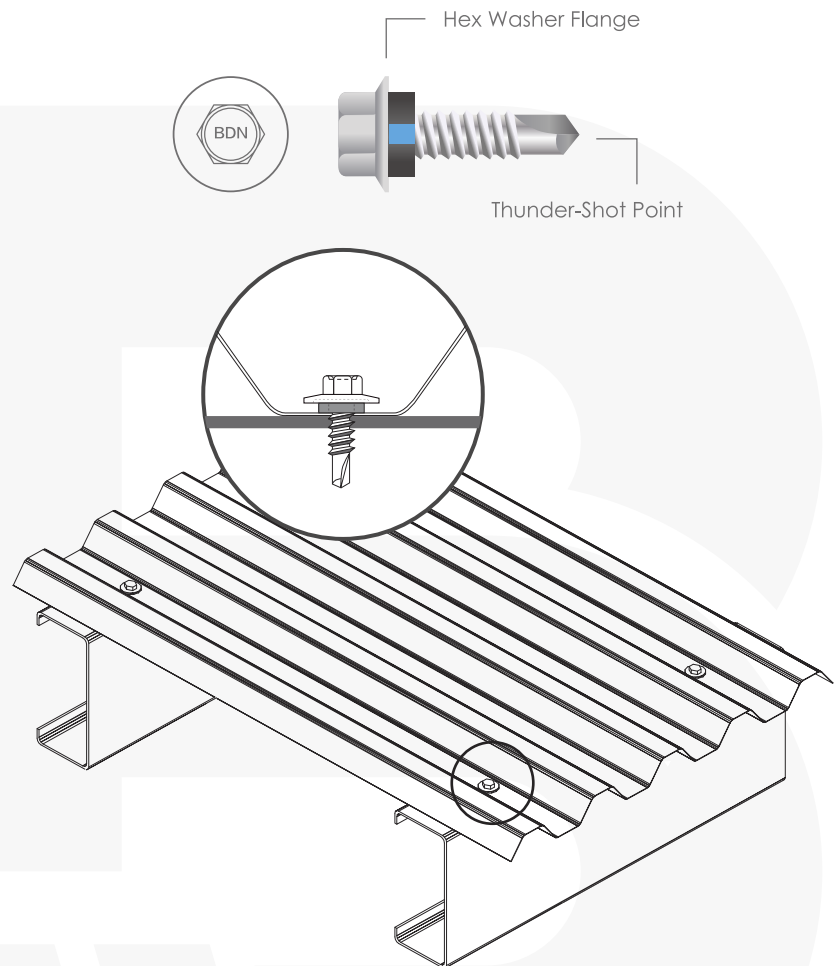
### PRODUCT FEATURES

Hex Washer Flange

Thunder-Shot Point

### WASHER

True Blue DEKS Blue Seal Washer



### PART NUMBER

#### BN2 Series

SST 500hrs + 5cycles



SDHC1016C2N	10-16 x 16mm
SDHC1020C2N	10-16 x 20mm
SDHC1030C2N	10-16 x 30mm
SDHC1220C2N	12-14 x 20mm

#### BN3 Series

SST 1000hrs + 7cycles



SDHC1016C3N	10-16 x 16mm
SDHC1020C3N	10-16 x 20mm
SDHC1030C3N	10-16 x 30mm
SDHC1220C3N	12-14 x 20mm

#### BN+ Series

SST 1000hrs + 15cycles



SDHC1016C3+N	10-16 x 16mm
SDHC1020C3+N	10-16 x 20mm
SDHC1030C3+N	10-16 x 30mm
SDHC1220C3+N	12-14 x 20mm

\*For size not indicated below, please contact for further information

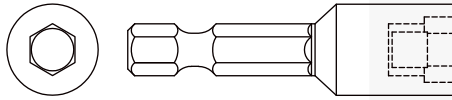


### STEEL PENETRATION

Max 12.5mm thick

### ADAPTER TO USE

Magnetic Hex Socket (5/16" )

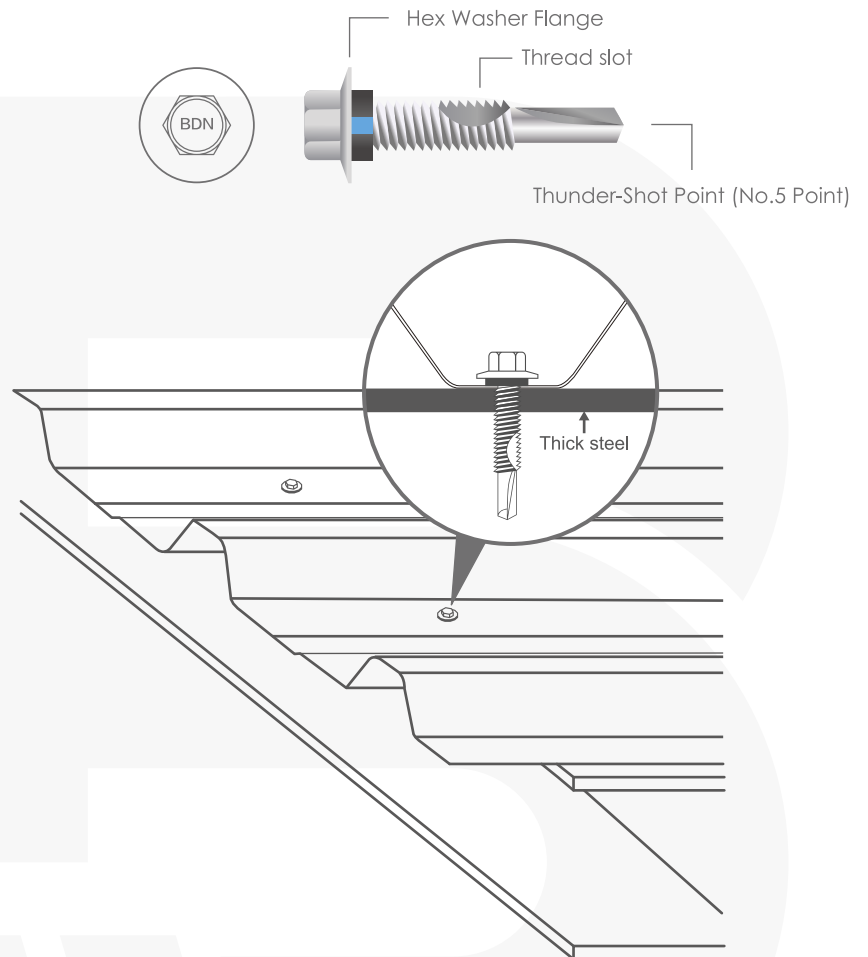


### PRODUCT FEATURES

Hex Washer Flange  
Thunder-Shot Point  
No.5 Drilling Point

### WASHER

True Blue DEKS Blue Seal Washer



### PART NUMBER

#### BN2 Series

SST 500hrs + 5cycles



SDH5F1232C2N 12-24 x 32mm  
SDH5F1238C2N 12-24 x 38mm  
SDH5F1250C2N 12-24 x 50mm

#### BN3 Series

SST 1000hrs + 7cycles



SDH5F1232C3N 12-24 x 32mm  
SDH5F1238C3N 12-24 x 38mm  
SDH5F1250C3N 12-24 x 50mm

#### BN+ Series

SST 1000hrs + 15cycles



SDH5F1232C3+N 12-24 x 32mm  
SDH5F1238C3+N 12-24 x 38mm  
SDH5F1250C3+N 12-24 x 50mm

\*For size not indicated below, please contact for further information

## CREST FIXING FASTENERS

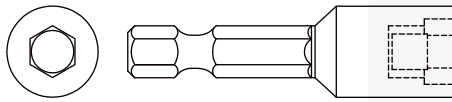
Carbon steel fasteners for fixing steel sheets into steel substrates

### STEEL PENETRATION

Max 6.0mm thick (For #12 gauge)

### ADAPTER TO USE

Magnetic Hex Socket (5/16" )

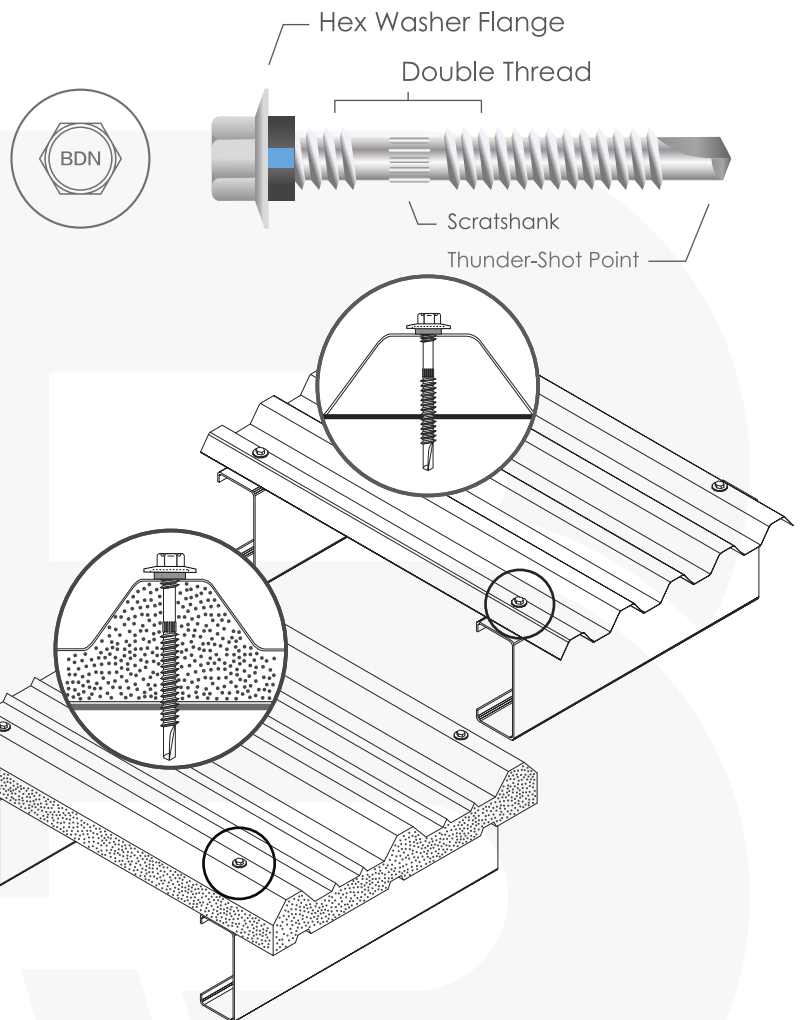


### PRODUCT FEATURES

- Hex Washer Flange
- Thunder-Shot Point
- Double Thread
- Scratchank

### WASHER

True Blue DEKS Blue Seal Washer



### PART NUMBER

#### BN2 Series

SST 500hrs + 5cycles



SDHCG1245C2N	12-14 x 45mm
SDHCG1248C2N	12-14 x 48mm
SDHCG1255C2N	12-14 x 55mm
SDHCG1265C2N	12-14 x 65mm
SDHCG1275C2N	12-14 x 75mm
SDHCG1285C2N	12-14 x 85mm
SDHCG12110C2N	12-14 x 110mm
SDHCG12130C2N	12-14 x 130mm

#### BN3 Series

SST 1000hrs + 7cycles



SDHCG1245C3N	12-14 x 45mm
SDHCG1248C3N	12-14 x 48mm
SDHCG1255C3N	12-14 x 55mm
SDHCG1265C3N	12-14 x 65mm
SDHCG1275C3N	12-14 x 75mm
SDHCG1285C3N	12-14 x 85mm
SDHCG12110C3N	12-14 x 110mm
SDHCG12130C3N	12-14 x 130mm

#### BN+ Series

SST 1000hrs + 15cycles



SDHCG1245C3+N	12-14 x 45mm
SDHCG1248C3+N	12-14 x 48mm
SDHCG1255C3+N	12-14 x 55mm
SDHCG1265C3+N	12-14 x 65mm
SDHCG1275C3+N	12-14 x 75mm
SDHCG1285C3+N	12-14 x 85mm
SDHCG12110C3+N	12-14 x 110mm
SDHCG12130C3+N	12-14 x 130mm

\*For size not indicated below, please contact for further information

## STITCHING FASTENERS

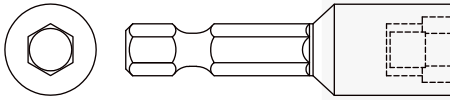
Carbon steel fasteners for fixing steel sheets into steel substrates

### STEEL PENETRATION

Max 2.0mm thick (For #15 gauge)

### ADAPTER TO USE

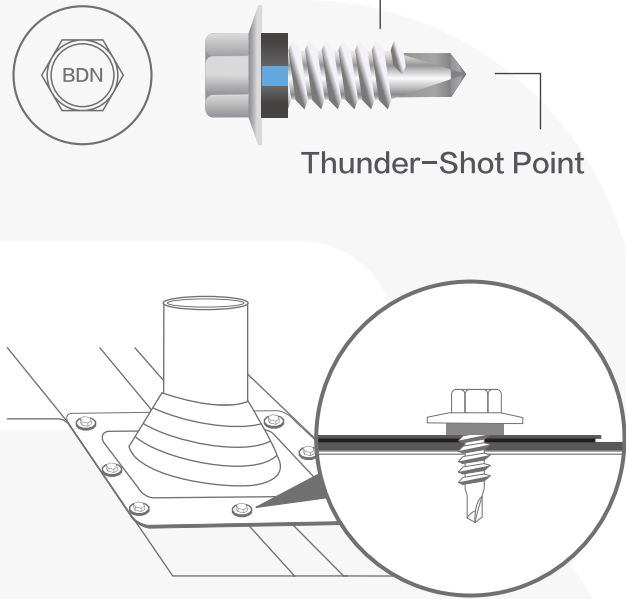
Magnetic Hex Socket (5/16" )



### Hex Washer Flange

Harpoon Thread

Thunder-Shot Point



### PRODUCT FEATURES

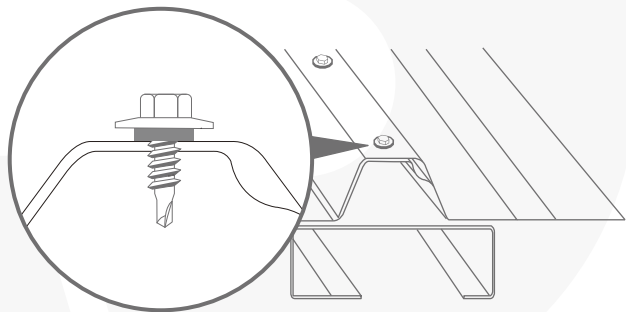
Hex Washer Flange

Thunder-Shot Reduced Point

Harpoon Thread

### WASHER

True Blue DEKS Blue Seal Washer



### PART NUMBER

#### BN2 Series

SST 500hrs + 5cycles



SDHC1520C2N 15-15 x 20mm

#### BN3 Series

SST 1000hrs + 7cycles



SDHC1520C3N 15-15 x 20mm

#### BN+ Series

SST 1000hrs + 15cycles



SDHC1520C3+N 15-15 x 20mm

\*For size not indicated below, please contact for further information

## CONCEALED FIXING FASTENERS

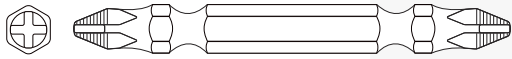
Carbon steel fasteners for fixing steel sheets into steel substrates

### STEEL PENETRATION

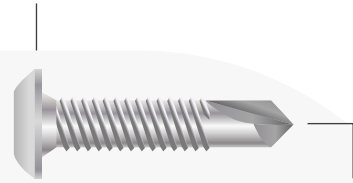
Max 4.0mm thick

### ADAPTER TO USE

Philips Bit (PH2+)



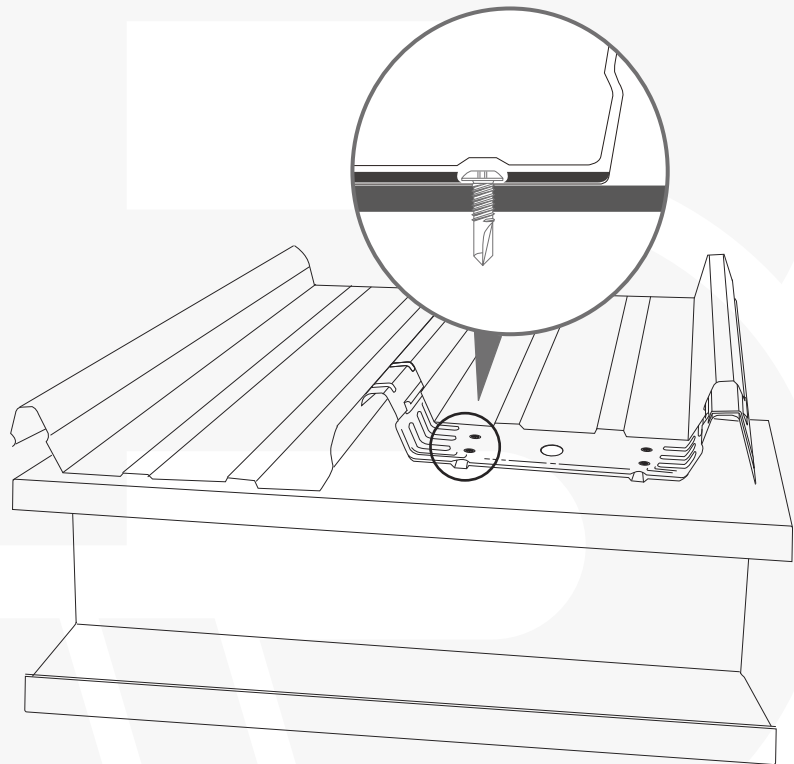
Wafer Head



Thunder-Shot Point

### PRODUCT FEATURES

Wafer Head  
Philips Drive  
Thunder-Shot Point



### PART NUMBER

#### BN2 Series

SST 500hrs + 5cycles



SDWF1016C2 10-24 x 16mm  
SDWF1022C2 10-24 x 22mm

#### BN3 Series

SST 1000hrs + 7cycles



SDWF1016C3 10-24 x 16mm  
SDWF1022C3 10-24 x 22mm

#### BN+ Series

SST 1000hrs + 15cycles



SDWF1016C3+ 10-24 x 16mm  
SDWF1022C3+ 10-24 x 22mm

\*For size not indicated below, please contact for further information

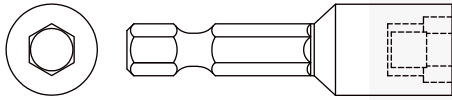


### TIMBER PENETRATION

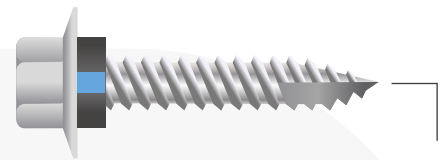
Min 20mm penetration

### ADAPTER TO USE

Magnetic Hex Socket (5/16" )



Hex Washer Flange



Type 17 Sharp Point

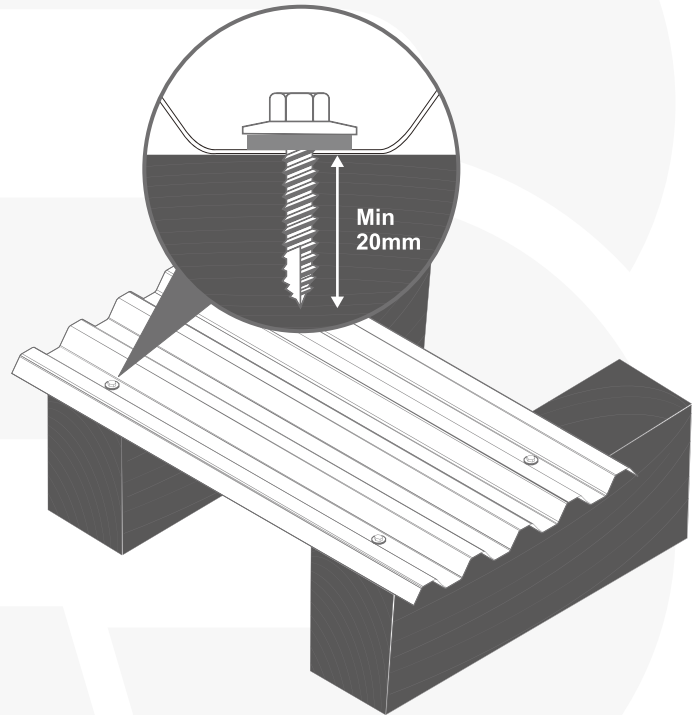
### PRODUCT FEATURES

Hex Washer Flange

Type 17 Sharp Point

### WASHER

True Blue DEKS Blue Seal Washer



### PART NUMBER

#### BN2 Series

SST 500hrs + 5cycles



T17H1020C2N	10-12 x 20mm
T17H1025C2N	10-12 x 25mm
T17H1225C2N	12-11 x 25mm
T17H1230C2N	12-11 x 30mm

#### BN3 Series

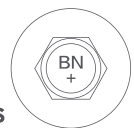
SST 1000hrs + 7cycles



T17H1020C3N	10-12 x 20mm
T17H1025C3N	10-12 x 25mm
T17H1225C3N	12-11 x 25mm
T17H1230C3N	12-11 x 30mm

#### BN+ Series

SST 1000hrs + 15cycles



T17H1020C3+N	10-12 x 20mm
T17H1025C3+N	10-12 x 25mm
T17H1225C3+N	12-11 x 25mm
T17H1230C3+N	12-11 x 30mm

\*For size not indicated below, please contact for further information

## CREST FIXING FASTENERS

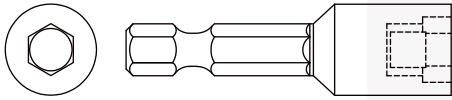
Carbon steel fasteners for fixing steel sheets into timber substrates

### TIMBER PENETRATION

Min 25mm penetration

### ADAPTER TO USE

Magnetic Hex Socket (5/16" )

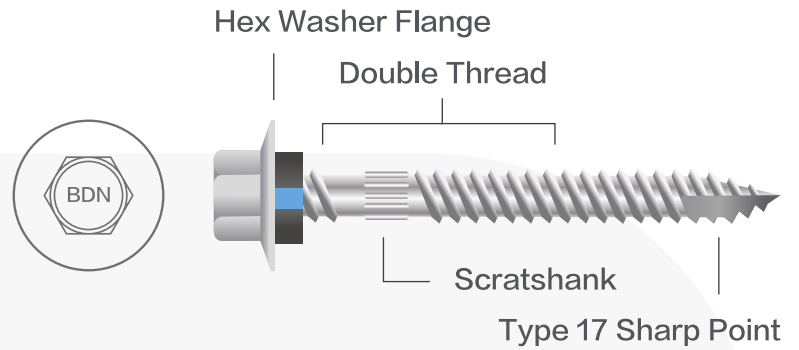


### PRODUCT FEATURES

Hex Washer Flange  
Type 17 Sharp Point  
Double Thread  
Scratchank

### WASHER

True Blue DEKS Blue Seal Washer



### PART NUMBER

#### BN2 Series

SST 500hrs + 5cycles



T17HCG1250C2N 12-11 x 50mm  
T17HCG1255C2N 12-11 x 55mm  
T17HCG1265C2N 12-11 x 65mm

#### BN3 Series

SST 1000hrs + 7cycles



T17HCG1250C3N 12-11 x 50mm  
T17HCG1255C3N 12-11 x 55mm  
T17HCG1265C3N 12-11 x 65mm

#### BN+ Series

SST 1000hrs + 15cycles



T17HCG1250C3+N 12-11 x 50mm  
T17HCG1255C3+N 12-11 x 55mm  
T17HCG1265C3+N 12-11 x 65mm

\*For size not indicated below, please contact for further information

## SKYLIGHT FIXING FASTENERS

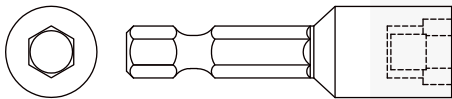
Carbon steel fasteners for fixing skylight to steel substrates

### STEEL PENETRATION

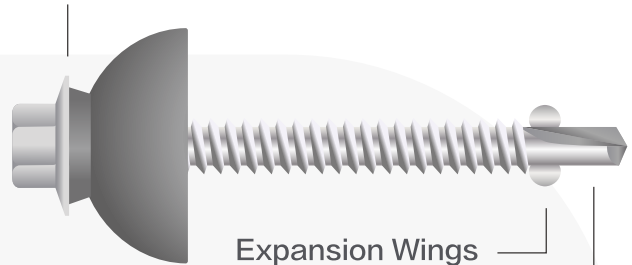
Max 5.5mm Thick

#### ADAPTER TO USE

Magnetic Hex Socket (5/16" )



Hex Washer Flange



Expansion Wings

Thunder-Shot Point

#### PRODUCT FEATURES

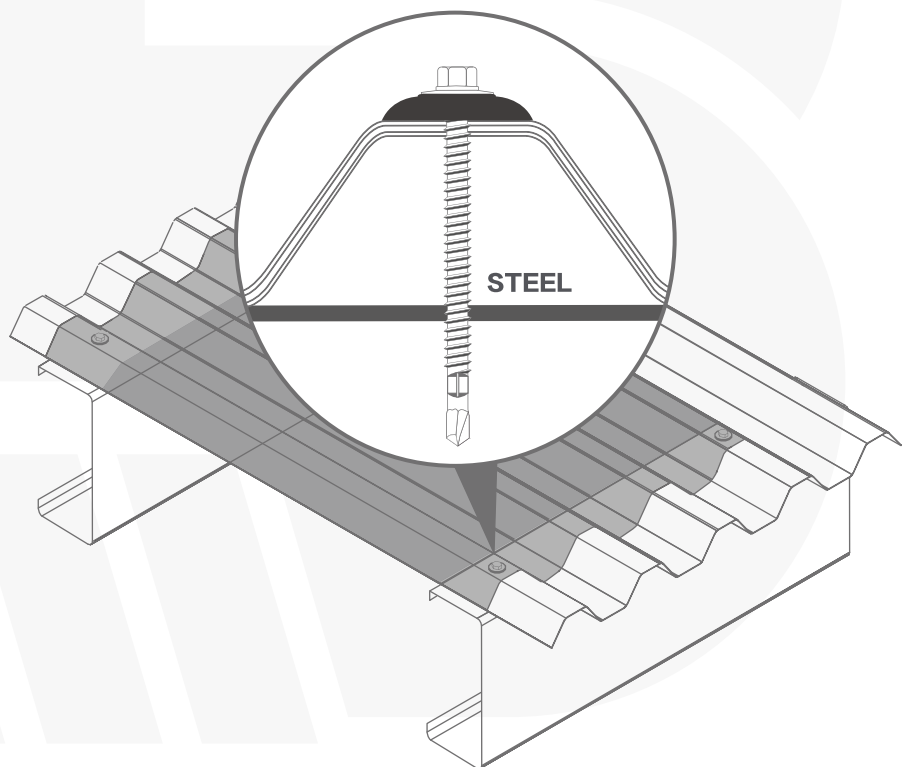
Hex Washer Flange

Expansion Wings

Thunder-Shot Point

#### WASHER

25mm Dome Grey EPDM



#### PART NUMBER

##### BN3 Series

SST 1000hrs + 7cycles



SDHCP1240C3D 12-14 x 40mm

SDHCP1255C3D 12-14 x 55mm

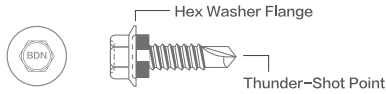
SDHCP1265C3D 12-14 x 65mm

SDHCP1272C3D 12-14 x 72mm

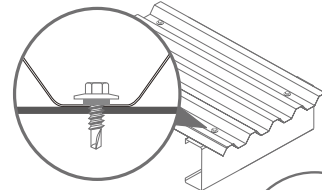
\*For size not indicated below, please contact for further information

# Roofing Screw Selection Chart

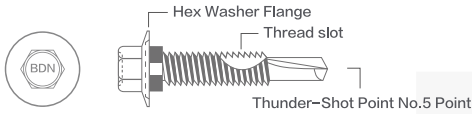
## METAL-Tite VALLEY FIXING FASTENERS



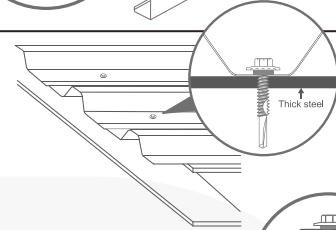
- 10-16 x 16mm
- 10-16 x 20mm
- 10-16 x 30mm
- 12-14 x 20mm



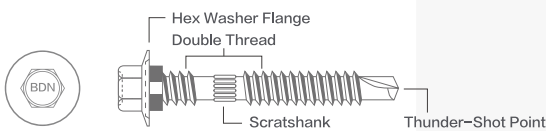
## METAL-Tite VALLEY FIXING FASTENERS - HEAVY SECTION



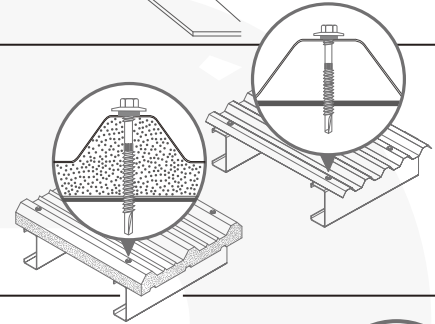
- 12-24 x 32mm
- 12-24 x 38mm
- 12-24 x 50mm



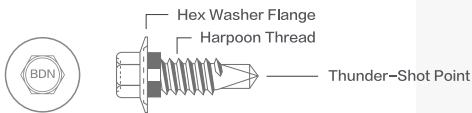
## METAL-Tite CREST FIXING FASTENERS



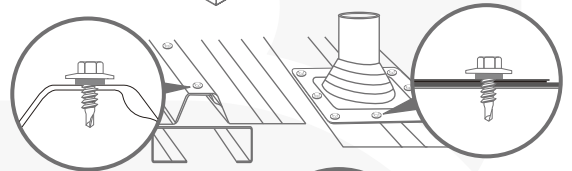
- 12-14 x 45mm
- 12-14 x 48mm
- 12-14 x 55mm
- 12-14 x 65mm
- 12-14 x 75mm
- 12-14 x 85mm
- 12-14 x 110mm
- 12-14 x 130mm



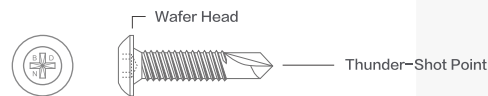
## METAL-Tite STITCHING FASTENERS



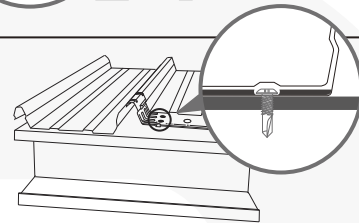
- 15-15 x 20mm



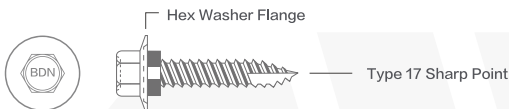
## METAL-Tite CONCEALED FIXING FASTENERS



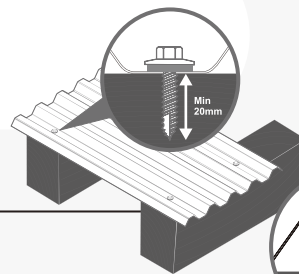
- 10-24 x 16mm
- 10-24 x 22mm



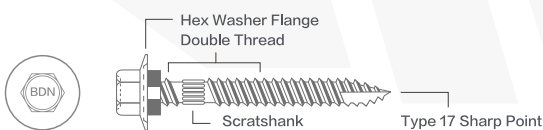
## TIMBER-Tite VALLEY FIXING FASTENERS



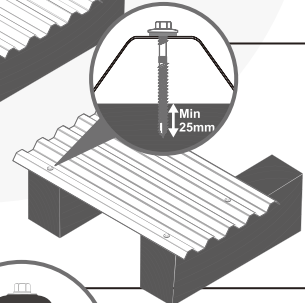
- 10-12 x 20mm
- 10-12 x 25mm
- 12-11 x 25mm
- 12-11 x 30mm



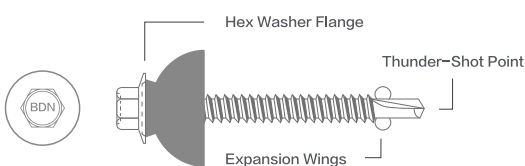
## TIMBER-Tite CREST FIXING FASTENERS



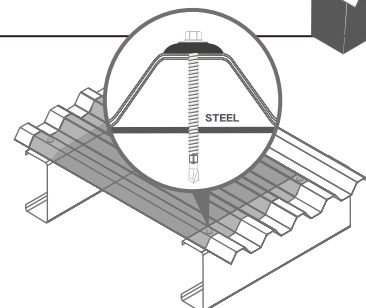
- 12-11 x 50mm
- 12-11 x 55mm
- 12-11 x 65mm



## POLYXPAND SKYLIGHT FIXING FASTENERS



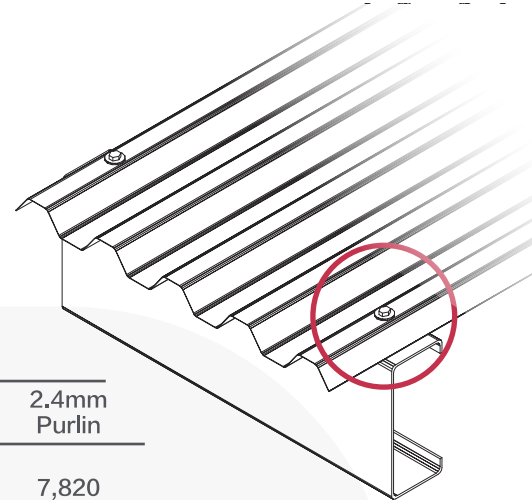
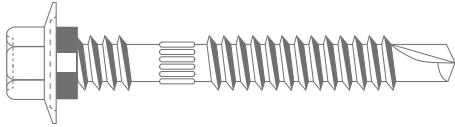
- 12-14 x 40mm
- 12-14 x 55mm
- 12-14 x 65mm
- 12-14 x 72mm





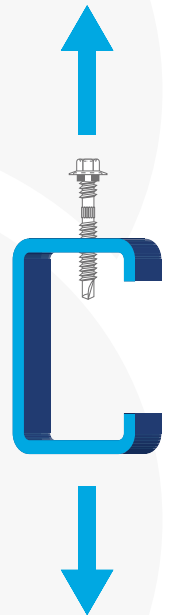
# Pullout Values

## BDN FASTENERS into Steel

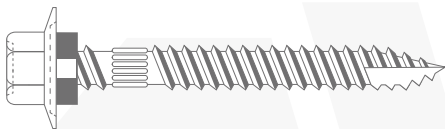


Screw Gauge / TPI	Steel Thickness				
	0,75mm Batten	1,20mm Stud	1,5mm Purlin	1,9mm Purlin	2,4mm Purlin
10-16 x L	1,860	2,320	4,200	5,500	7,820
10-24 x L	-	2,320	4,280	5,820	7,680
12-14 x L Screw Length longer than 20mm	-	1,980	3,040	5,160	6,960
12-14 x L Screw Length 20mm or Shorter	-	2,200	4,080	5,420	7,360

(Unit:Newtons)

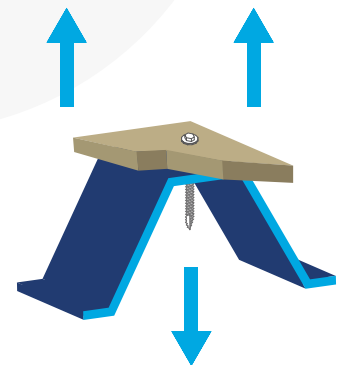


## BDN FASTENERS into Timber, Lightweight Battens & Steel



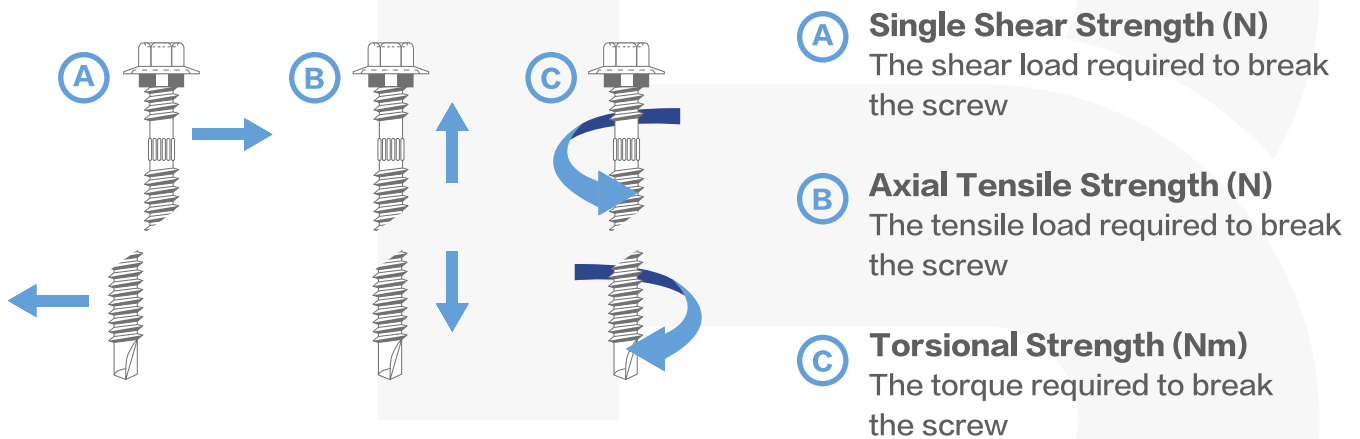
Screw Gauge / TPI	0,55mm Steel Batten	0,75mm Steel Batten	F7 Pine Timber	F17 Hardwood
10-12 x L (T17S)	1,320	2,220	5,700	6,000
12-11 x L (T17S)	1,510	2,400	3,900	6,460

(Unit:Newtons)



# Mechanical Properties

Screw Gauge / TPI	Single Shear Strength (N)	Axial Tensile Strength (N)	Torsional Strength (Nm)
10-16 x L	6,800	11,900	6.9
10-24 x L	6,200	11,400	7.4
12-14 x L	8,800	15,300	10.9
12-11 x L (T17S)	8,400	13,900	9.4



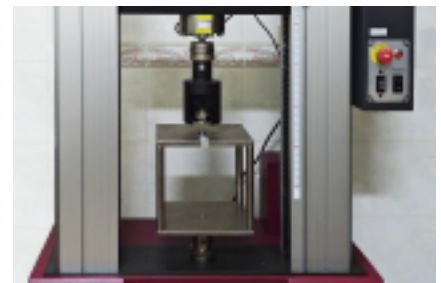
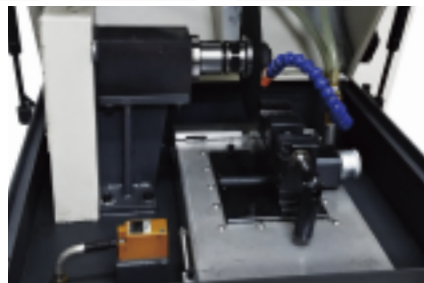
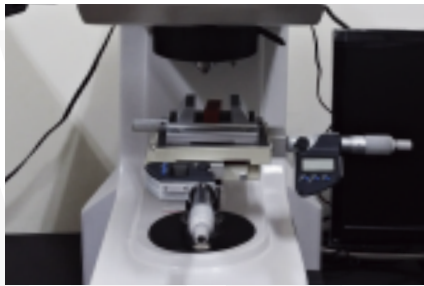
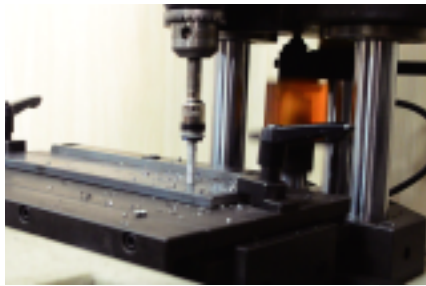
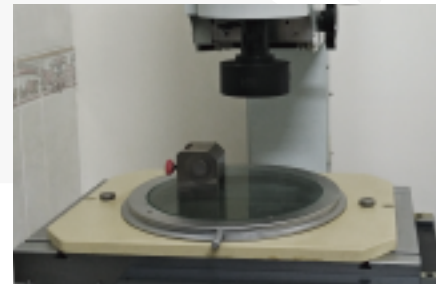
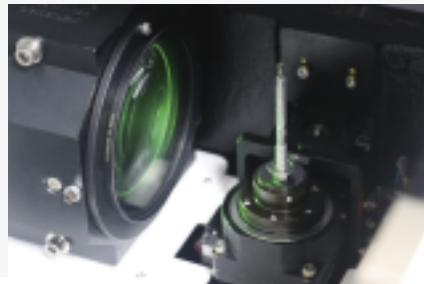
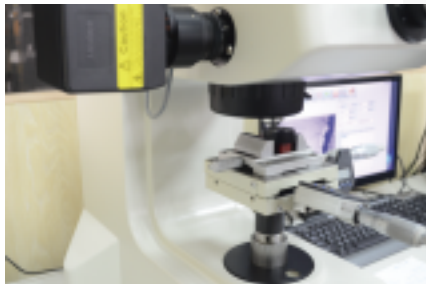
# Quality Assurance

## Quality Certification

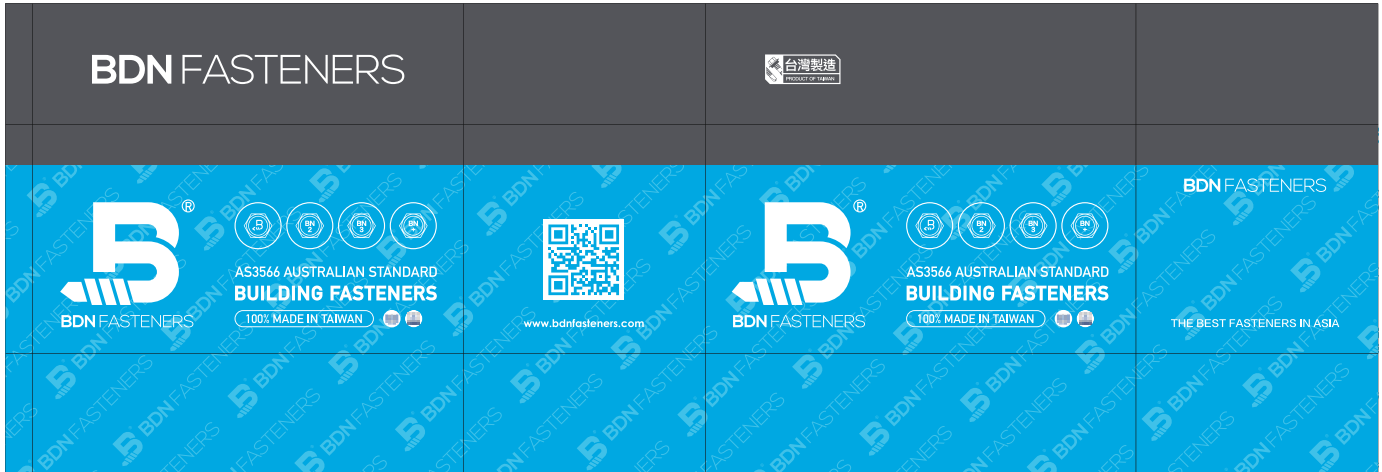
To show our commitment to being a trustworthy supplier, and provide the best product and services, BDN Fasteners are manufactured and quality controlled following ISO-9001 standards, and are of course, ISO-9001 certified.



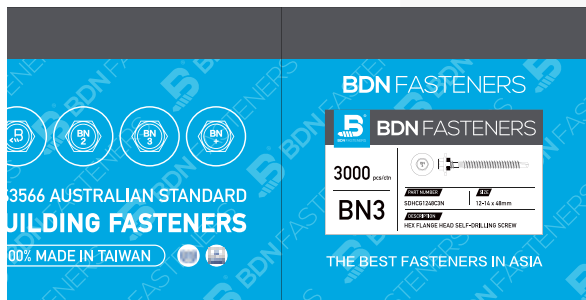
## Quality Assurance



# Packaging Guide



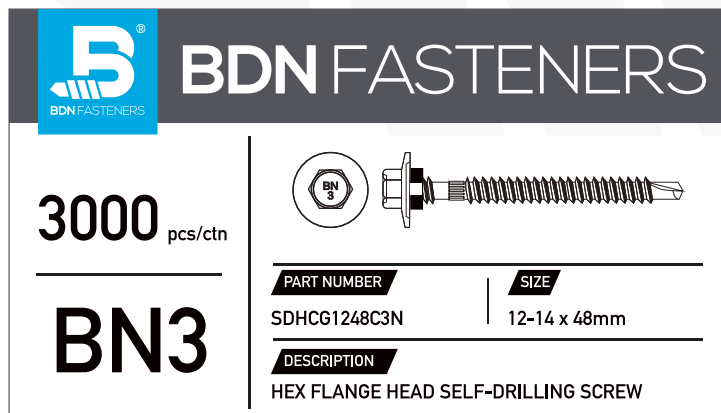
BDN FASTENERS product labels are always placed at the center of the box.



## PRODUCT LABEL

BDN FASTENERS come with large, easy to read product labels. Each product has its own unique label showing the product category, packaged quantity, size, part no., color and description.

To re-order, quote the Part No., Product Description, and Color Code as indicated below. This information can be easily obtained from existing packaging.



All BDN FASTENERS product labels must be placed at the designated area on the carton as stated below.

**! DO NOT!**







## **BDN** FASTENERS

No.126, Sec 2, Heji Rd., Gangshan,  
Kaohsiung 820, Taiwan (R.O.C)

T. +886 7 6295690

F. +886 7 6295692

E. [info@bdnfasteners.com](mailto:info@bdnfasteners.com)



[www.bdnfasteners.com](http://www.bdnfasteners.com)